



Product features:

- Metal construction throughout
- Leading design features requiring high pressure
- Quarter turn handle action for precise flow control
- Fixed spout to prevent accidental water damage
- Elegant retro deco design form

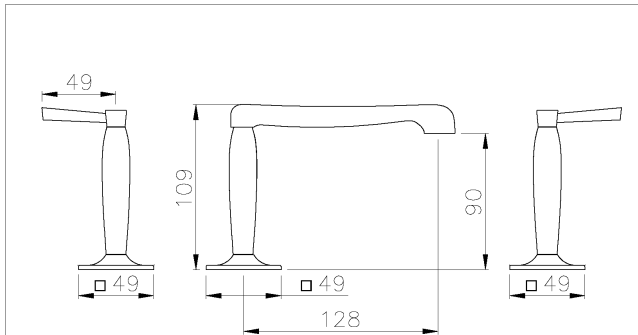
Packaged properties:

Box length: 425 mm **Box depth:** 70 mm
Box width: 235 mm **Boxed weight:** 3.13 kg

Includes pop up waste?: Yes

Additional comments:
 Includes 2mm allen key

Product dimensions:



Decadence
3 part basin mixer

AB1303 v1

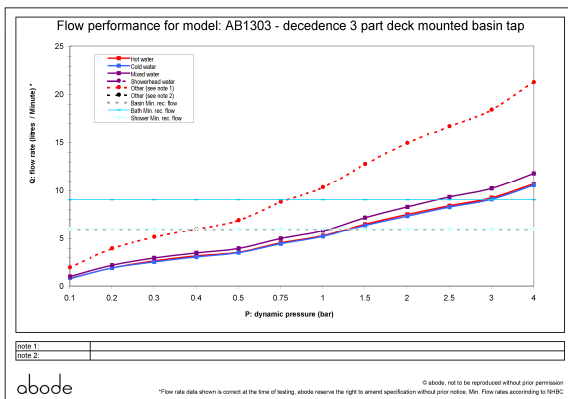
abode

(c) abode home products ltd
www.abode.eu
our policy is to continually
improve and develop products,
and accordingly we reserve the
right to amend specifications
without prior notice

- **Overall Height / projection:** 109 mm
- **Exit reach:** 128 mm
- **Exit height:** 90 mm
- **Centre distance(s):** 100 - 200 mm

- **Base diameter(s):** 49, 49, 49 mm
- **Product mounted where:** Surface
- **Recommended hole diameter:** 30, 30, 30 mm
- **Min. fitting depth required:**
- **Max. surface depth:** 30 mm

Product flow characteristics:



- **Min / Max water pressure:** 1 / 5 bar
- **Part G mixed flow rate at 3 bar (l/m):** 10.17

- **Max water temperature:** 70° C
- **Product flow characteristics:** Single flow
- **Aerator type:** Plastic honeycomb
- **Includes output diverter?:** No
- **Control valve type:** 1/2" QT CD ()
- **Non return valve position:**
- **Mesh particle filter size:**
- **Inlet / outlet size:** 1/2" M / 1/2" M
- **Inlet type / length:** Fixed / mm
- **Shower hose type / length:**

Warranty Summary (Full details available on request):

- Materials and workmanship defects warranted for 5 years
- Valves and working parts warranted for 5 years
- Surface warranty defects warranted for 1 year
- O-rings, hoses & gaskets warranted for 1 year

Care instructions:

- Clean the mixers and showers regularly as required, using soap, do not use any other cleaners.
- Regular cleaning will prevent the build up of lime scale and dirt
- After cleaning rinse thoroughly with clean water to remove any cleaner residue
- Residues of liquid soaps, shampoos and shower foams can also cause damage, so rinse with clean water after using, avoid contact with any abrasives