



Product features:

- Metal & ABS construction
- Custom designed for lower range pressures
- Quarter turn handle action for precise flow control
- Swivel spout for maximum flexibility
- Single spray pattern showerhead

Packaged properties:

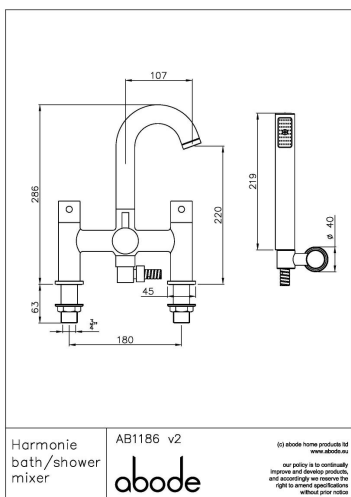
Box length (mm): 380 Box depth(mm): 105
Box width(mm): 255 Boxed weight (Kg): 4.0

Includes pop up waste?: No

Additional comments:

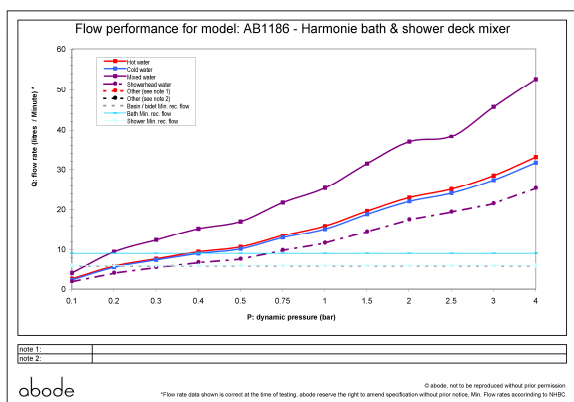
Includes pencil showerhead & fixed bracket

Product dimensions:



- **Product mounted where:** Surface
- **Recommended hole size:**
- **Overall Height / projection:** 286 mm
- **Exit reach:** 107 mm
- **Exit height:** 220 mm
- **Base size:** 45 mm
- **Inlet centre distance(s):** 180 mm
- **Min. fitting depth required:** 40 mm
- **Max. surface depth:**

Product flow characteristics:



• **Min / Max water pressure (bar):** 0.20* / 5

*Detailed minimum pressure requirements for this product: Bath 0.2, Shower 0.3 (bar)

• **Part G max. mixed flow rate at 3 bar (l/m):** bath=45.6, shower=21.5

• **Inlet connection type / length:** Fixed / 50 mm
• **Inlet (plumbing connection) / outlet size:** 3/4" M /

• **Product flow characteristics:** Single flow
Non return valve(s) supplied or position:

• **Aerator type:** White flow straightener

• **Control valve type:** 1/2" QT CD (8-20)
• **Includes output diverter?:** Yes

• **Inlet meshed particle filters included:**
• **Shower hose type / length:** Smoothflex / 1.50 m

Warranty Summary (full details available on request):

- Materials and workmanship defects warranted for 5 years
- Valves and working parts warranted for 5 years
- Surface warranty defects warranted for 1 year
- O-rings, hoses & gaskets warranted for 1 year

Care instructions:

- Clean the mixers and showers regularly as required, using soap, do not use any other cleaners.
- Regular cleaning will prevent the build up of lime scale and dirt
- After cleaning rinse thoroughly with clean water to remove any cleaner residue
- Residues of liquid soaps, shampoos and shower foams can also cause damage, so rinse with clean water after using, avoid contact with any abrasives