

Alto Professional Mixertap



5 Year warranty Terms and Conditions

In the unlikely event that you should experience any defect in the materials or workmanship of your new Abode mixer within FIVE years of purchase, the purchaser's sole remedy shall be the replacement (at the manufacturer's discretion) of all or any part of the product that is defective. All working parts and valves are guaranteed for a period of TWO years from purchase. Decorative surface finishes and O-rings are guaranteed for ONE year from the date of purchase provided that our advice concerning care has been observed and no scouring agents have been used.

This is provided that the mixer has been used for normal domestic purposes in the UK and that the care, installation and maintenance instructions have been observed. The warranty extends to the original purchaser only. You should retain a copy of your dated invoice as proof of purchase to validate any claims under this guarantee.

Marks, scuffs and scratches caused by improper installation or accidental damage are not covered by this guarantee. Neither are shade variations or any

damage or defect caused by incorrect installation or abuse of the fitting.

As we are continuously improving and developing our range of products, finishes & colours, in the event of a valid claim, we may not be able to provide an identical replacement for the defective product throughout the guarantee period. Where an identical product is no longer available, we will supply the nearest equivalent from our then current product range. In assessing your claim, we must be given the opportunity to inspect the product as installed prior to removal. Any product returns must be packaged as received and complete.

No other warranties, express or implied, are made, including merchantability or fitness for a particular purpose. Under no circumstances shall the manufacturer be liable for any loss or damage arising from the purchase, use or inability to use this product, or for any special, indirect, incidental or consequential damages. No liability is accepted for consequential damage to other household fixtures, fittings or furnishings arising from this claim, even if attached to the product. No installer, dealer, agent or employee of Abode Home Products Limited has the authority to modify the obligations or limitations of this warranty.

Care Instructions for your Kitchen Sink Mixer

To maintain the appearance of this tap, ensure that it is regularly cleaned only using a clean, soft damp cloth. A solution of warm water and a mild liquid detergent may be used where necessary, and then the fitting rinsed thoroughly and wiped dry. Any other cleaning action will invalidate your warranty.

If the mixertap has a diffuser it should be unscrewed and cleaned periodically in warm water.

Abrasive cleaners, scouring cleaners and acidic cleaners **must not be used** under any circumstances. Avoid contact with all solvents (including chlorinated solvents, ketones or acetones as these may result in surface deterioration or etching). Also avoid contact with any harsh household chemicals such as oven cleaners, drain cleaners, rust removers, paint strippers and toilet bowl cleaners, bar keepers friend or Brasso.

Please leave these instructions for your customer.

Parts and Contents

Key	Description	Qty
A	Mixertap body	1
B	Base plinth	1
C	Upper seal	1
D	White triangular stabilizer (for stainless steel sinks only)	1
E	Studded rod	1
F	Fixing nut	1
G	Hot and cold flexible tail pipes	2
H	Fibre seal	2
I	Hot and cold tail pipe adaptor with integral non return valve	2
J	Compression olive	2
K	Compression nut	2
L	Rubber horseshoe	2
M	Metal horseshoe	2

Installation Instructions:

Preparation

Before installing the new mixer it is essential that you thoroughly flush through the supply pipes in order to remove any remaining solder, swarf or impurities from your system. Failure to carry out this simple procedure could cause problems or damage to the workings of the mixertap.

We strongly recommend installing particle filters and isolation valves to both the hot and cold feed pipes in an accessible position. This will help to prevent premature failure of the valves and ease any future maintenance.

All parts should be removed from their packaging and inspected for any transport damage prior to installation.

Shut off your water heating system and ensure that your mains stopcock is closed. Open the lowest hot and cold taps in the house and allow the water to run until the cold-water storage tank and pipes are fully empty. Please note, the hot water storage cylinder (if applicable) will always remain full.

This mixertap requires a 35mmØ tap hole, if replacing an existing tap, remove the tap & clean the end of the feed pipes using wire wool the tap hole area should be free from dirt and sealant.

Loosely position the tap and tail pipes to check if any alteration to the existing pipework is required, if this is the case do this now.

Installation

1. Screw in the studded rod (E) into the base of the tap (A).
2. Stick the upper seal (C) onto the recess on the bottom of base plinth (B).
3. Pass the base plinth (B) over tail pipes (G) and studded rod (E).
4. Place the mixertap (A) onto the sink or worktop and pass the tail pipes (G) and studded rod (E) through the taphole.
5. If fitting the tap to a stainless steel sink the white triangular stabilizer (D) can be placed where shown to help to stabilize the weight of the tap.
6. Pass the rubber and then metal horseshoe (L & M) over the studded rod (E) and around tail pipes (G).
7. Fasten the fixing nut (F) securely onto the fixing stud (E) fix the tap into its correct location.
8. Screw the adaptor tail pipes (I) into the hot and cold flexible tail pipes (G) ensuring to place the fibre seals (H) between them to make a water tight joint.
9. Connect the tail pipes to the water mains using compression olives (J) and compression nuts (K).

After installation

Once you have visually checked the new fittings and connections, ensure that all taps are closed except the new mixer tap which should be left open. Turn on the water supply at the mains stop cock. As the system starts to refill, check carefully for leaks. Once you are fully satisfied that there are no leaks, turn on the water heating.

Clean the tap to remove any marks created during installation as instructed then place the cloth bag that has been provided to protect the tap until it is ready for use.



Important Technical Data

Minimum operating pressure 1 bar
Maximum operating pressure 5.5 bar*

Maximum hot water temperature 70°C*
Recommended hot water temperature 46°C

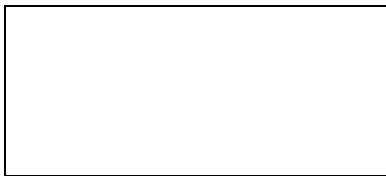
Note: If these temperatures or pressures are exceeded, even for short periods, damage can result. In these instances a thermostatic mixing or pressure reducing valve should be installed.

All Abode taps are either WRAS approved or manufactured in accordance with recognised European standards. Please ensure that your Abode Kitchen mixer is fitted in accordance with Local Water Byelaws.

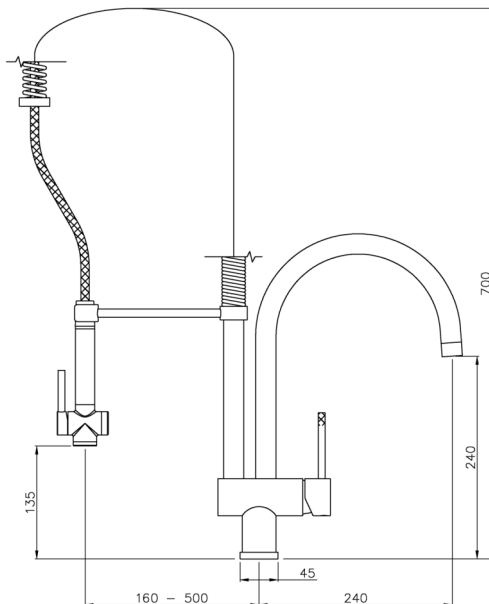
These installation guidelines have been prepared for your direction and you must exercise due care at all times. We do not accept responsibility for problems that may occur through improper installation. Whilst assembling the tap take care not to accidentally loosen any screwed assemblies.

Abode is a registered trademark of Abode Home Products Limited.

Manufacturers Product Reference



©Abode
11/2004



abode

Abode Home Products Limited, Unit L Zenith Park, Whaley Road, Barnsley, S75 1HT
Tel: 01226 28 34 34 Fax: 01226 28 24 34 Web: www.abode.eu

All errors and omissions excepted.