

General Advice:

- These instructions are intended as a guide only, if you are in any doubt you should seek the advice of a qualified professional.
- Take care not to mark finished parts with screwdrivers or other tools.
- Use a pair of rubber gloves to get a better grip on decorative hand tight parts.
- Ensure all parts are reassembled tightly.
- After maintenance test that all assemblies are water tight and function correctly.
- Always isolate the hot and cold water supplies before starting any maintenance, once isolated you should drain any residual water from your system.

To replace the hot valve:

1. Using a small flat screwdriver or fingernail lever dust cap (D1) away from the handle (D3)
2. Pull the handle (D3) horizontally away from the tap body (B1).
3. Whilst holding tap body (B1) unscrew the valve (D4) using a 17mm ring spanner or adjustable wrench.
4. Clean any debris from the chamber in the tap body (B1).
5. Reassemble the tap in the reverse order.

To replace the spout o-rings:

1. Loosen grub screw (A7) on the rear of body (B1) using a small flathead screwdriver.
2. Pull the spout (A3) vertically away from the body (B1).
3. Remove the old o-rings (A5 & A6) using a small screwdriver or similar.
4. If worn, remove the white PTFE spacer (A4).
5. Ensure the inside of the body (B1) and the spout base is clean of dirt and grit with a soft wet cloth.
6. If required locate the new white PTFE spacer (A4).
7. Carefully locate the new O-rings (A5 & A6) onto the spout base (A3).
8. Grease the O-rings (A5 & A6) thoroughly with silicone or alternative similar grease.
9. Reassemble the tap in the reverse order.

To replace the aerator:

1. Whilst holding spout (A3) unscrew aerator (A1).
2. Remove Rubber seal (A2), replace only if worn or damaged.
3. Push the rubber seal (A2) onto the inner spout tube, locate the seal so positioned centrally to the spout exit.
4. Reassemble the new aerator (A1) into the spout (A3) ensuring the rubber seal (A2) locates onto the aerator (A1).

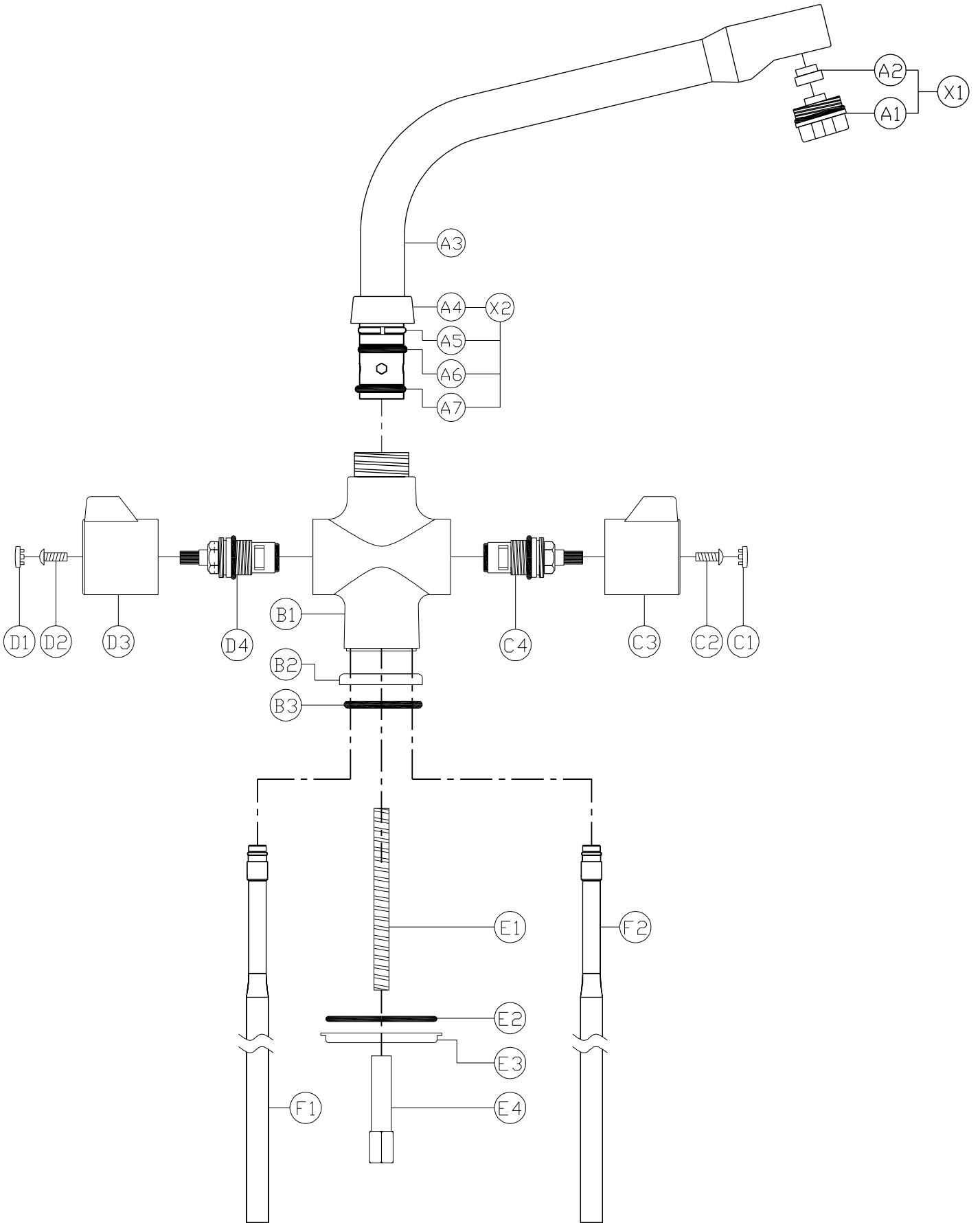
Aspley Monobloc (2009 version)

abode

KEY	Chrome	Qty.	Brushed nickel	Qty.
A1	***		***	
A2	***		***	
A3	***		***	
A4	***		***	
A5	***		***	
A6	***		***	
A6	***		***	
A7	***		***	
B1	***		***	
B2	***		***	
B3	***		***	
C1	***		***	
C2	***		***	
C3	***		***	
C4	***		***	
D1	***		***	
D2	***		***	
D3	***		***	
D4	***		***	
E1	***		***	
E2	***		***	
E3	***		***	
E4	***		***	
F1	***		***	
F2	***		***	
X1	***		***	
X2	***		***	

Aspley Monobloc (2009 version)

abode



Aspley Monobloc (2009 version)

abode

General Advice:

- These instructions are intended as a guide only, if you are in any doubt you should seek the advice of a qualified professional.
- Take care not to mark finished parts with screwdrivers or other tools.
- Use a pair of rubber gloves to get a better grip on decorative hand tight parts.
- Ensure all parts are reassembled tightly.
- After maintenance test that all assemblies are water tight and function correctly.
- Always isolate the hot and cold water supplies before starting any maintenance, once isolated you should drain any residual water from your system.

To replace the hot valve:

1. Using a small flat screwdriver or fingernail lever dust cap (D1) away from the handle (D3)
2. Pull the handle (D3) horizontally away from the tap body (B1).
3. Whilst holding tap body (B1) unscrew the valve (D4) using a 17mm ring spanner or adjustable wrench.
4. Clean any debris from the chamber in the tap body (B1).
5. Reassemble the tap in the reverse order.

To replace the spout o-rings:

1. Whilst holding body (B1) unscrew the spout locking collar (A4)
2. Pull the spout (A3) vertically away from the body (B1).
3. Remove the old o-rings (A6 & A7) using a small screwdriver or similar.
4. If worn, remove the white PTFE spacer (A5).
5. Ensure the inside of the body (B1) and the spout base (X2) is clean of dirt and grit with a soft wet cloth.
6. If required locate the new white PTFE spacer (A5).
7. Carefully locate the new O-rings (A6 & A7) onto the spout base (X2).
8. Grease the O-rings (A6 & A7) thoroughly with silicone or alternative similar grease.
9. Reassemble the tap in the reverse order.

To replace the aerator:

1. Whilst holding spout (A3) unscrew aerator (A1).
2. Remove Rubber seal (A2), replace only if worn or damaged.
3. Push the rubber seal (A2) onto the inner spout tube, locate the seal so positioned centrally to the spout exit.
4. Reassemble the new aerator (A1) into the spout (A3) ensuring the rubber seal (A2) locates onto the aerator (A1).